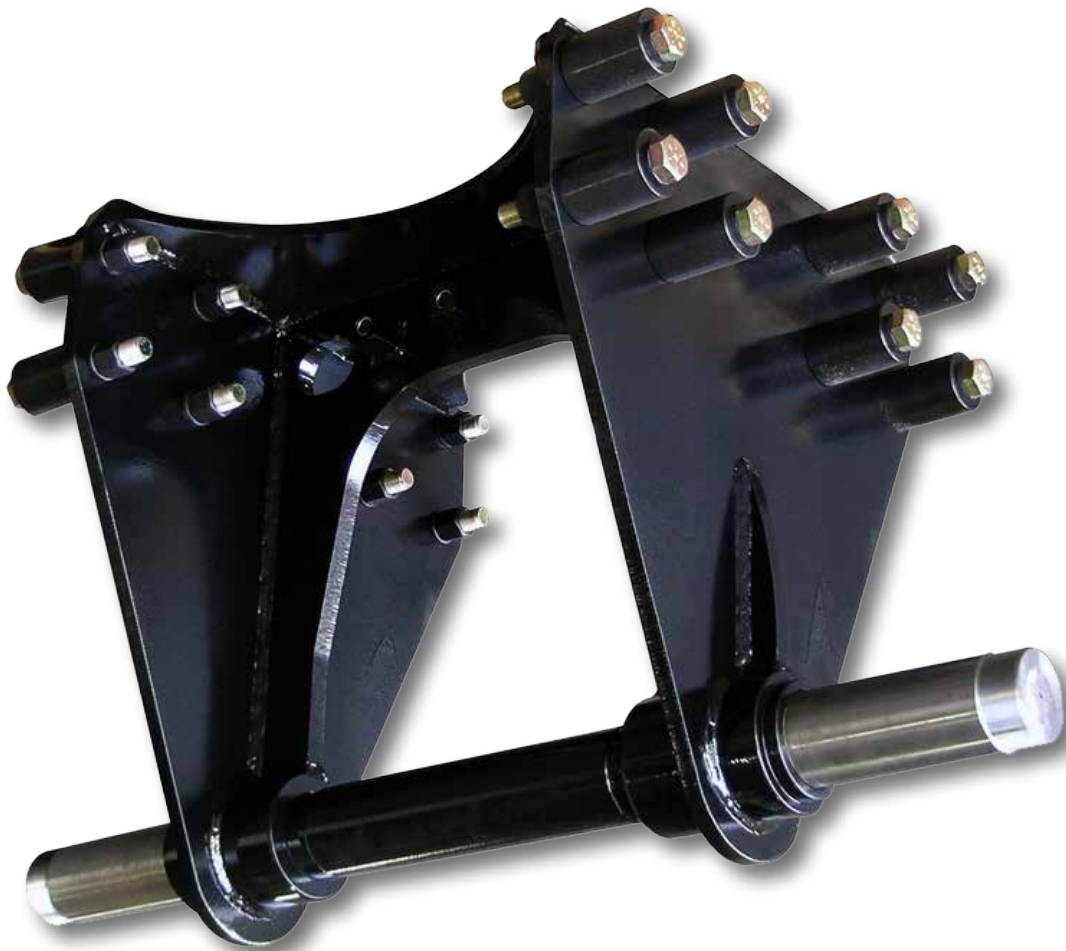


## Mack Camelback Rear Suspension

### 4" Spring, 3 1/2" Bronze Center



For more information visit [www.theuniversalgroup.com](http://www.theuniversalgroup.com) or call 1.800.225.1845

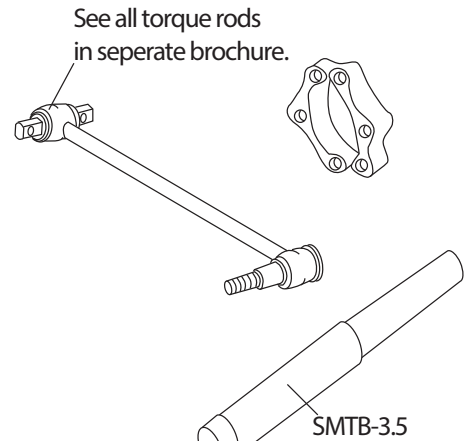
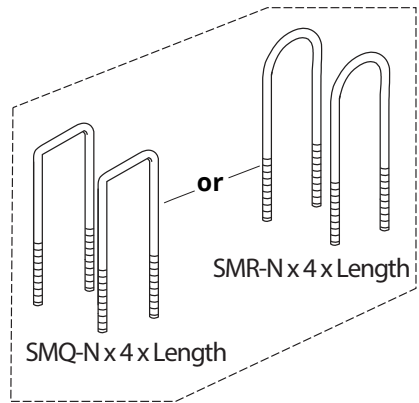
**Universal Group**<sup>®</sup>



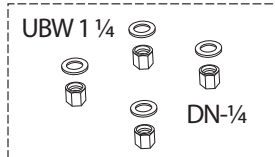
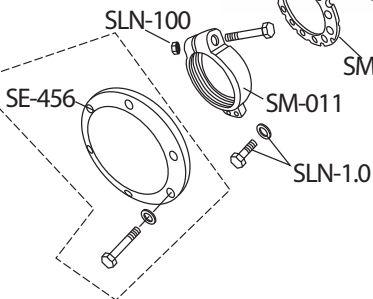
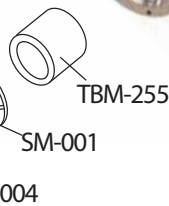
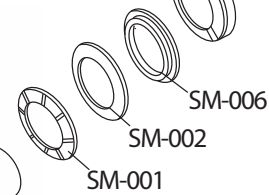
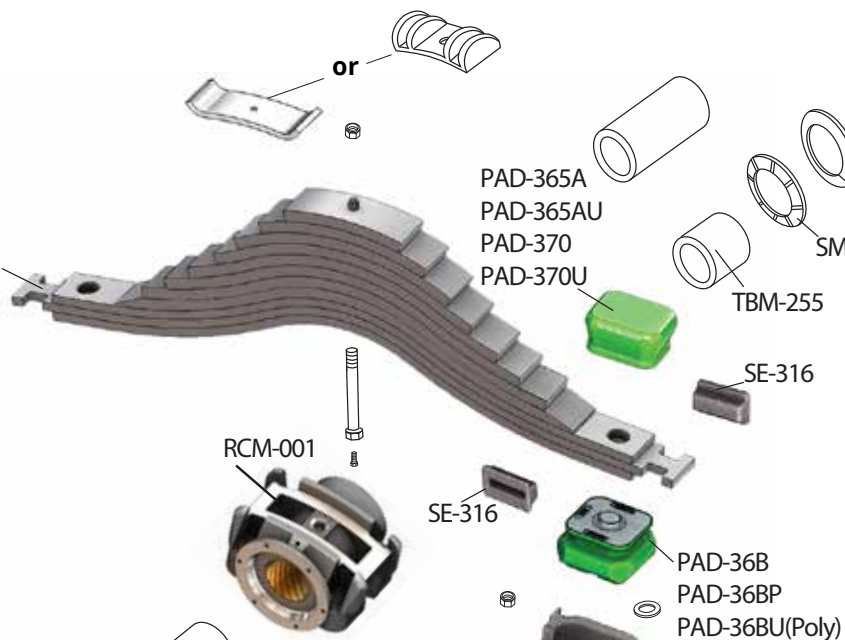
The Universal Group, LLC  
1025 Thomas Busch Memorial Highway  
Pennsauken, New Jersey 08110  
1.800.225.1845  
856.488.1800  
Fax 1.800.360.9636

# Mack 4" Spring, 3 1/2" Bronze Center

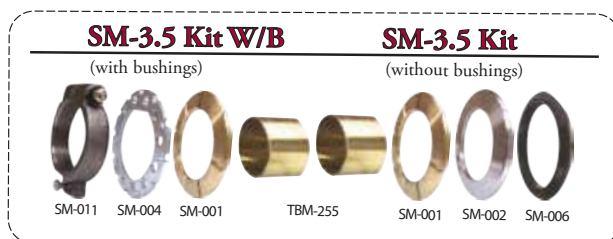
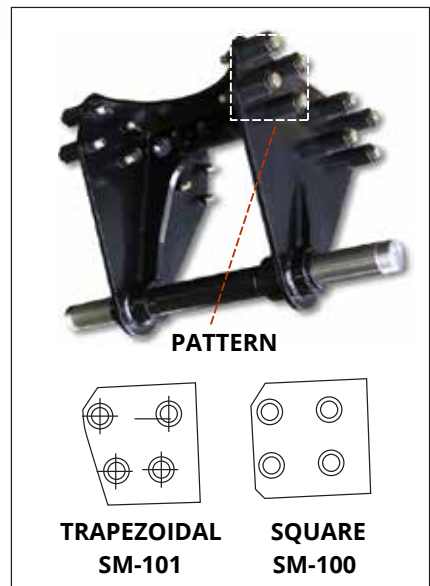
## Replacement Parts





- 62-143
- 62-147
- 62-153
- 62-155
- 62-157



### TRUNNION STAND



<b>H-66610-000</b> <b>Ultra Rod Two Piece Torque Rod</b>	<b>H-66690-000 (27" - 35")</b> <b>H-66691-000 (to 27")</b> <b>Ultra Rod Two Piece Torque Rod</b>
	
Dayton Parts 345-610 Flagg UR610 Automann TMRN610	H-66690-000 Dayton Parts 345-690 Flagg UR690 Automann TMRN690  H-66691-000 Dayton Parts 345-691 Flagg UR691 Automann TMRN691

PAD 36B      PAD-36BU PAD-36BP = Premium		PAD-365A      PAD-365AU		PAD-370      PAD-36BU	
<b>Lower Mack Pad</b>		<b>Upper Mack Pad</b>		<b>Upper Mack Pad</b>	
					
Dayton Parts 325-110 Flagg MP2 Automann ABP2	Automann ABP2UB	Dayton Parts 325-112 Flagg MP1 Automann ABP1	Automann ABP1UB	Dayton Parts 325-113 Flagg MP4 Automann ABP4	Automann ABP4UB




RCM-001 Mack 3.5 Trunion	SE-316 Spacer Block	SE-411 SE-412 Insulator Box	
			
Dayton Parts 338-702 Flagg E435-62 Automann M1116	Dayton Parts 338-729 Flagg E316-62 Automann M878	SE-411 Dayton Parts 338-728 Flagg E411-62 Automann M1068	SE-412 Dayton Parts 338-746 Flagg E412-62 Automann M1070

SE-456 Mack 3.5 Trunion	SM-3.5 Kit W/Bushings	SM-3.5 Kit
		
Dayton Parts 334-468 Flagg E456-62 Automann M1158	2 pcs SM-001 1 pc SM-002 1 pc SM-004 1pc SM-006 1pc SM-011 2 pcs TBM-255	2 pcs SM-001 1 pc SM-002 1 pc SM-004 1pc SM-006 1pc SM-011

SM-100 / SM-101 Mack Stands	DN - 1/4 Hi-Nut	SLN-1.0 Lock Nut
		
SM-100      SM-101   <b>SQUARE</b> <b>TRAPEZOIDAL</b>  Automann M1213      Automann M1211 Dayton Parts 339-348      Dayton Parts 339-349	Dayton Parts DN125 Flagg DN8 Automann HN114	Dayton Parts SSN-107 Flagg SN-107

<b>SM-001</b>	<b>SM-002</b>	<b>SM-004</b>
Bronze Thrust Washer	Steel Thrust Washer	Trunnion Lock Ring
		
Dayton Parts 334-443 Flagg MCK1 Automann MX302	Dayton Parts 334-444 Flagg MCK2 Automann MX303	Dayton Parts 334-442 Flagg MCK4 Automann MX305

<b>SM-006</b>	<b>SM-011</b>	<b>SMTB-3.5</b>
Trunnion Seal	Trunnion Collar Nut	Trunnion Bar
		
Dayton Parts 334-445 Flagg MCK6 Automann MX301	Dayton Parts 334-441 Flagg E677-62	Dayton Parts 334-466 Automann MB1

<b>SMR-N x 4 x Length</b>	<b>SMQ-N x 4 x Length</b>	<b>TBM-255</b>
Mack Round U-Bolt	Mack Square U-Bolt	Bronze Trunnion Bushing
Lengths 13.5 14.5 15.5 16.5 17.5 18.5 19.5	Lengths 13.5 14.5 15.5 16.5 17.5 18.5	
		Dayton Parts 322-114 Flagg MIB255 Automann MX300

<b>UBW - 1 1/4</b>		
U-Bolt Washer		
		
Dayton Parts SUW125 Flagg UBW90		



[www.theuniversalgroup.com](http://www.theuniversalgroup.com)

Any reference to OEM names, part numbers, model numbers or description is for identification only and does not indicate that it is an OEM part.