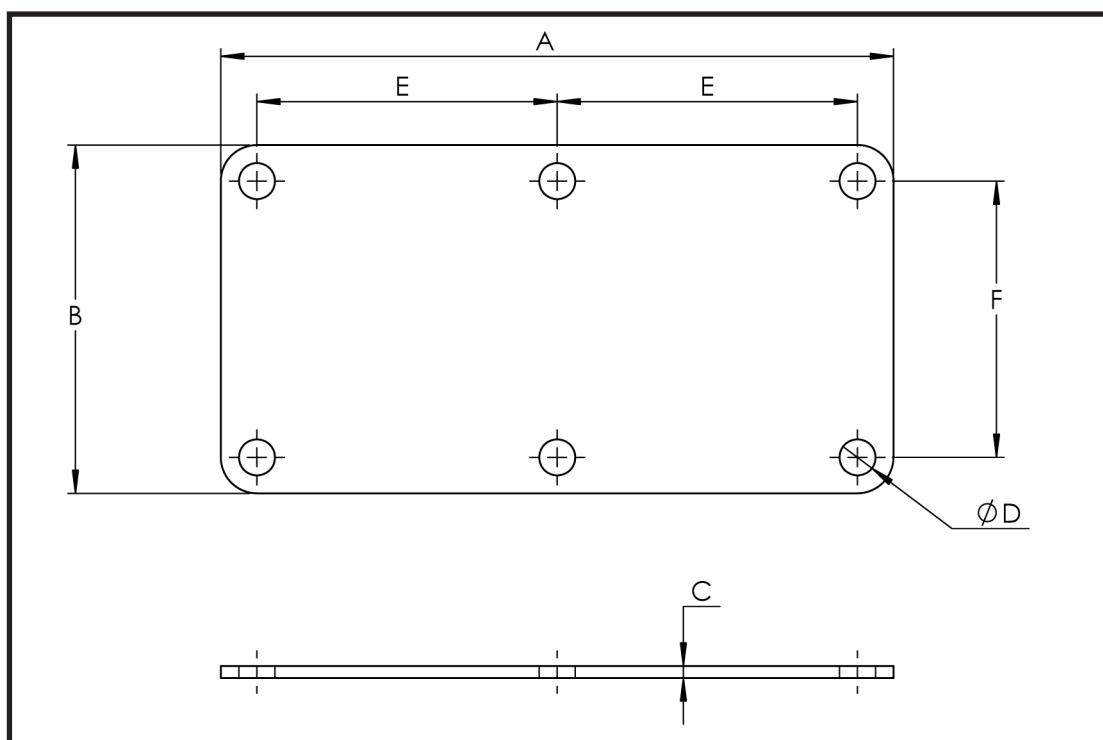


FLEXIRIDE[®]

Flexiride Base Plate Dimensions



Mounting Plate #	Applies to Flexiride Capacity	A (inch)	B (inch)	C (inch)	No. of Holes	D (inch)	E (inch)	F (inch)	Weight (lbs)
FS30-2	425 lbs	5.50	3.13	0.125	6	0.33	2.38	2.38	0.58
FS30-3	550 & 935 lbs	7.00	3.63	0.125	6	0.38	3.13	2.88	0.87
FS30-6	1400 & 2000 lbs	8.75	4.41	0.135	6	0.44	3.81	3.38	1.43
FHP-35P	3500 lbs	13.25	5.63	0.188	8	0.52	3.88	4.50	3.85

For more information visit www.theuniversalgroup.com or call 1.800.225.1845

Universal Group[®]



The Universal Group, LLC
 1025 Thomas Busch Memorial Highway
 Pennsauken, New Jersey 08110
 1.800.225.1845
 856.488.1800
 Fax 1.800.360.9636