

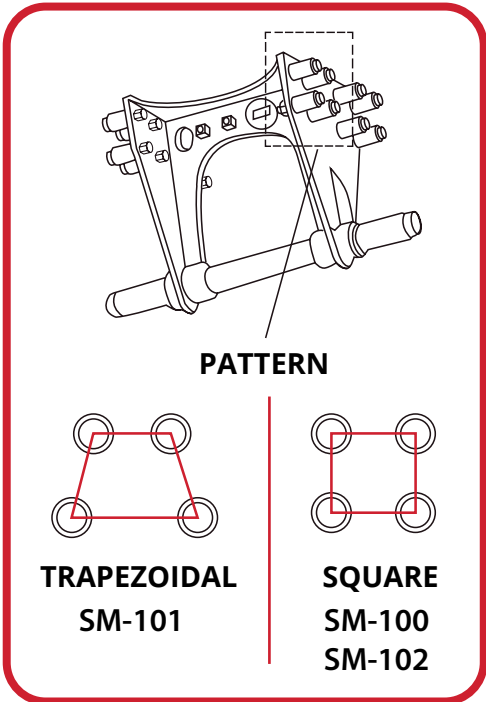
Mack Trunnion Stand



SM-100/SM-101



SM-102



- **Heavy Duty Replacement for Original Equipment Mack Stand**
- **Mounts from underneath the vehicle**
- **Minimizes down-time, puts truck back on the road faster!**

Universal	Automann	Dayton	OEM	Description
SM-100	M1213	339-348	97QL5119M	Square pattern; SS44/SWS57 Camelback (4" Spring, 3 1/2" Bronze Center) Rear Suspension
SM-101	M1211	339-349	97QL585/97QL5122	Trapezoid pattern; SS44/SWS57 Camelback (4" Spring, 3 1/2" Bronze Center) Rear Suspension
SM-102	M1217	339-355	25129644, 97QL590M	Square pattern; SS50 Camelback (4" Spring, 4" Bronze Center) Rear Suspension